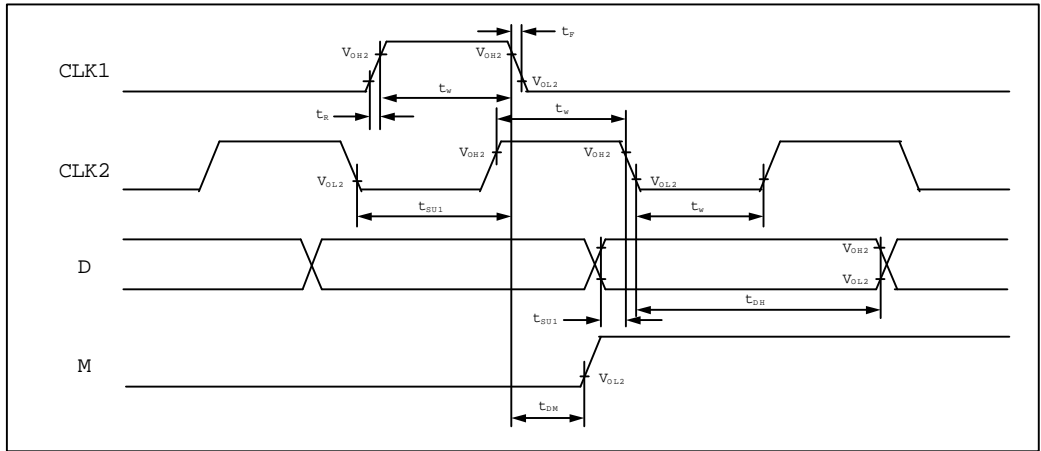


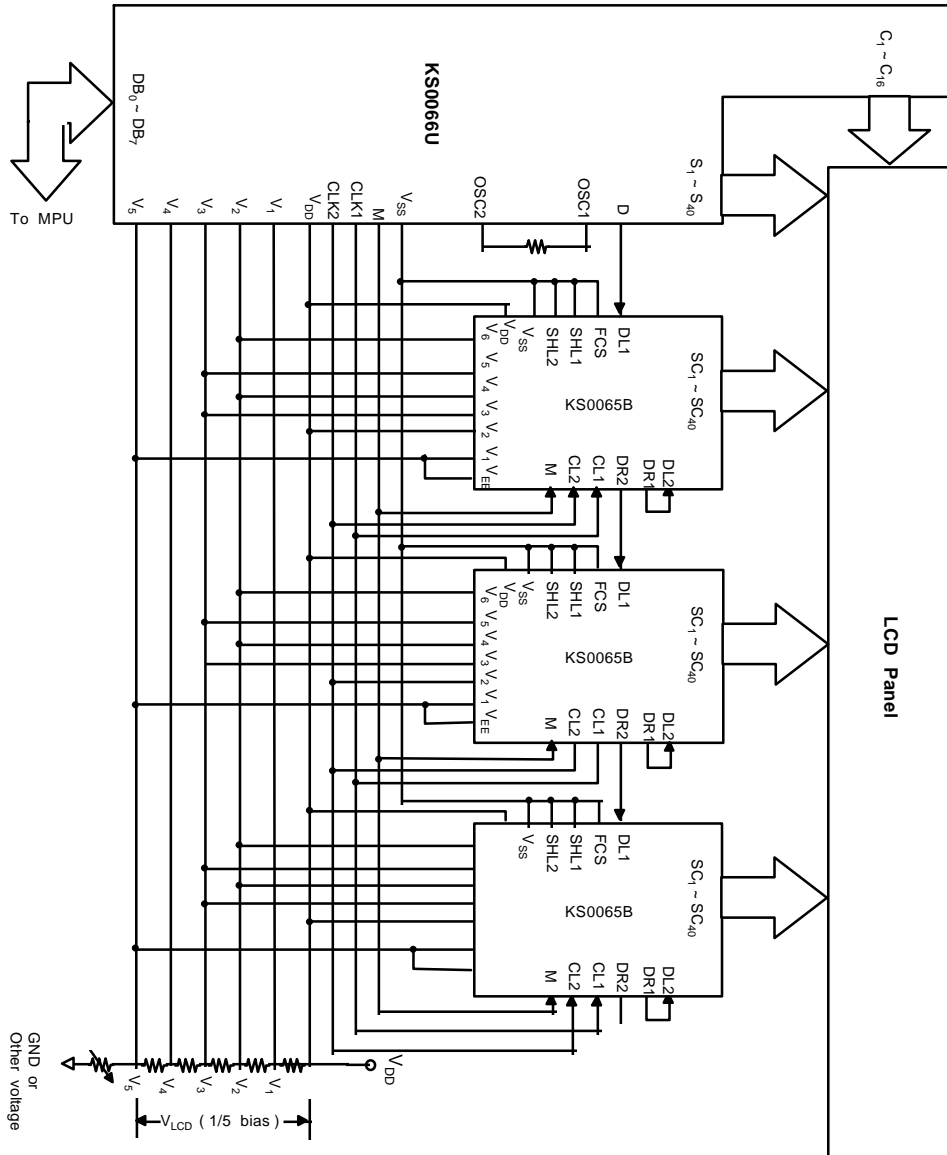
KS0066U 16COM / 40SEG DRIVER & CONTROLLER FOR DOT MATRIX LCD

Fig-8. Interface Mode with Extension Driver Timing Diagram



KS0066U 16COM / 40SEG DRIVER & CONTROLLER FOR DOT MATRIX LCD

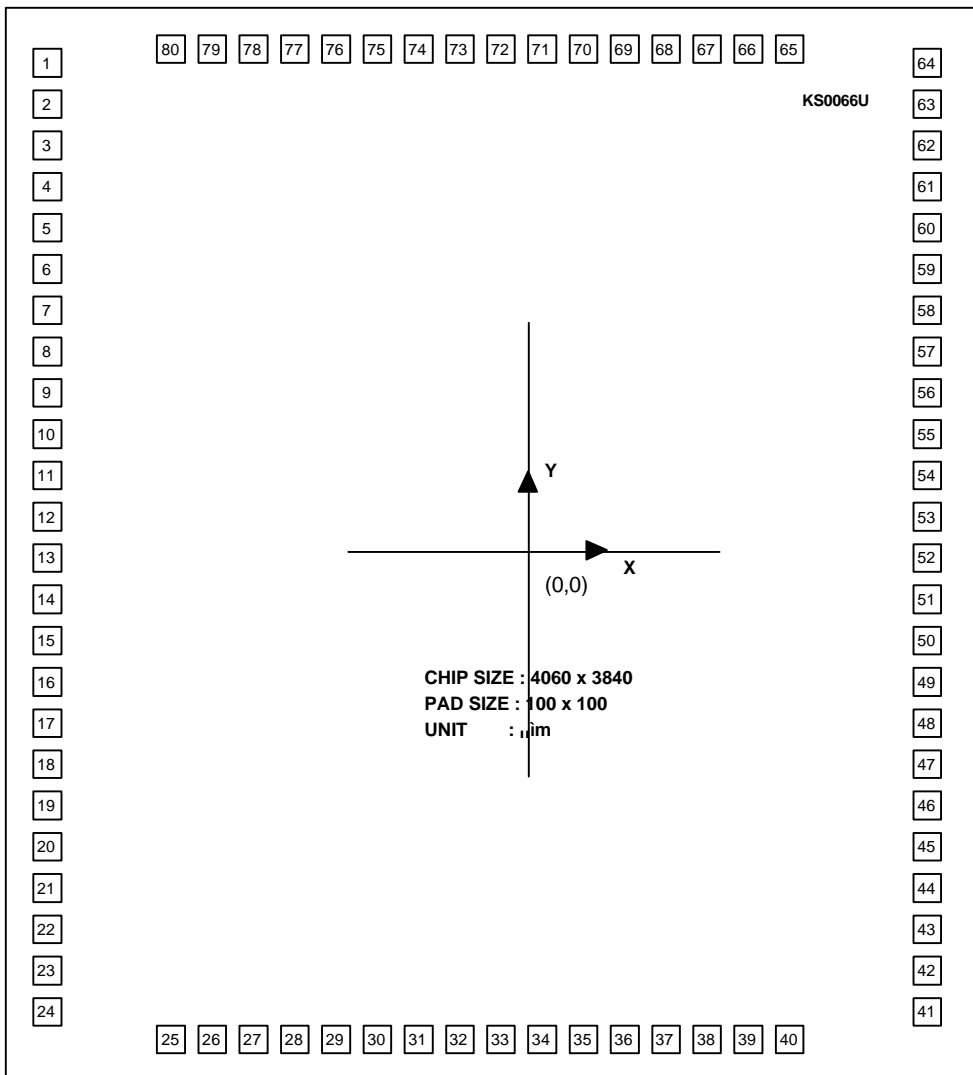
APPLICATION CIRCUIT



When KS0065B is externally connected to the KS0066U, you can increase the number of display digits up to 80 characters.

KS0066U 16COM / 40SEG DRIVER & CONTROLLER FOR DOT MATRIX LCD

PAD DIAGRAM



* "KS0066U" Marking : easy to find the PAD

KS0066U 16COM / 40SEG DRIVER & CONTROLLER FOR DOT MATRIX LCD

PAD LOCATION

UNIT (μm)

PAD NUMBER	PAD NAME	COORDINATE		PAD NUMBER	PAD NAME	COORDINATE		PAD NUMBER	PAD NAME	COORDINATE	
		X	Y			X	Y			X	Y
1											
2	S22	-1864	1465	33	VDD	80	-1754	65	S38	886	1754
3	S21	-1864	1340	34	M	230	-1754	66	S37	760	1754
4	S20	-1864	1215	35	D	380	-1754	67	S36	636	1754
5	S19	-1864	1090	36	RS	518	-1754	68	S35	510	1754
6	S18	-1864	965	37	R/W	642	-1754	69	S34	386	1754
7	S17	-1864	840	38	E	768	-1754	70	S33	260	1754
8	S16	-1864	715	39	DB0	894	-1754	71	S32	136	1754
9	S15	-1864	590	40	DB1	1018	-1754	72	S31	10	1754
10	S14	-1864	465	41	DB2	1864	-1488	73	S30	-114	1754
11	S13	-1864	340	42	DB3	1864	-1362	74	S29	-240	1754
12	S12	-1864	215	43	DB4	1864	-1238	75	S28	-364	1754
13	S11	-1864	90	44	DB5	1864	-1112	76	S27	-490	1754
14	S10	-1864	-35	45	DB6	1864	-988	77	S26	-614	1754
15	S9	-1864	-160	46	DB7	1864	-862	78	S25	-740	1754
16	S8	-1864	-285	47	C1	1864	-665	79	S24	-864	1754
17	S7	-1864	-410	48	C2	1864	-540	80	S23	-990	1754
18	S6	-1864	-535	49	C3	1864	-415				
19	S5	-1864	-660	50	C4	1864	-290				
20	S4	-1864	-785	51	C5	1864	-165				
21	S3	-1864	-910	52	C6	1864	-40				
22	S2	-1864	-1034	53	C7	1864	85				
23	S1	-1864	-1159	54	C8	1864	210				
24	GND	-1864	-1285	55	C9	1864	335				
25	OSC1	-1864	-1414	56	C10	1864	460				
26	OSC2	-1120	-1754	57	C11	1864	585				
27	V1	970	-1754	58	C12	1864	710				
28	V2	820	-1754	59	C13	1864	835				
29	V3	670	-1754	60	C14	1864	960				
30	V4	520	-1754	61	C15	1864	1085				
31	V5	370	-1754	62	C16	1864	1210				
32	CLK1	-220	-1754	63	S40	1864	1341				
	CLK2	-70	-1754	64	S39	1864	1466				



KS0066U 16COM / 40SEG DRIVER & CONTROLLER FOR DOT MATRIX LCD

STANDARD CHARACTER PATTERN (KS0066UP-00)

Upper 4bit / Lower 4bit	LLLL	LLLH	LLHL	LLHH	LHLL	LHLH	LHHL	LHHH	HLLL	HLLH	HLHL	HLHH	HHLL	HHLH	HHHL	HHHH
LLLL	CG RAM (1)															
LLLH	(2)															
LLHL	(3)															
LLHH	(4)															
LHLL	(5)															
LHLH	(6)															
LHHL	(7)															
LHHH	(8)															
HLLL	(1)															
HLLH	(2)															
HLHL	(3)															
HLHH	(4)															
HHLL	(5)															
HHLH	(6)															
HHHL	(7)															
HHHH	(8)															

STANDARD CHARACTER PATTERN (KS0066UP-24)

Upper 4bit / Lower 4bit	LLLL	LLLH	LLHL	LLHH	LHLL	LHLH	LHHL	LHHH	HLLL	HLLH	HLHL	HLHH	HHLL	HHLH	HHHL	HHHH
LLLL	CG RAM (1)															
LLLH	(2)															
LLHL	(3)															
LLHH	(4)															
LHLL	(5)															
LHLH	(6)															
LHHL	(7)															
LHHH	(8)															
HLLL	(1)															
HLLH	(2)															
HLHL	(3)															
HLHH	(4)															
HHLL	(5)															
HHLH	(6)															
HHHL	(7)															
HHHH	(8)															

STANDARD CHARACTER PATTERN (KS0066UP-25)

Upper 4bit Lower 4bit	LLLL	LLLH	LLHL	LLHH	LHLL	LHLH	LHHL	LHHH	HLLL	HLLH	HLHL	HLHH	HHLL	HHLH	HHHL	HHHH
LLLL	CG RAM (1)															
LLLH	(2)															
LLHL	(3)															
LLHH	(4)															
LHLL	(5)															
LHLH	(6)															
LHHL	(7)															
LHHH	(8)															
HLLL	(1)															
HLLH	(2)															
HLHL	(3)															
HLHH	(4)															
HHLL	(5)															
HHLH	(6)															
HHHL	(7)															
HHHH	(8)															