

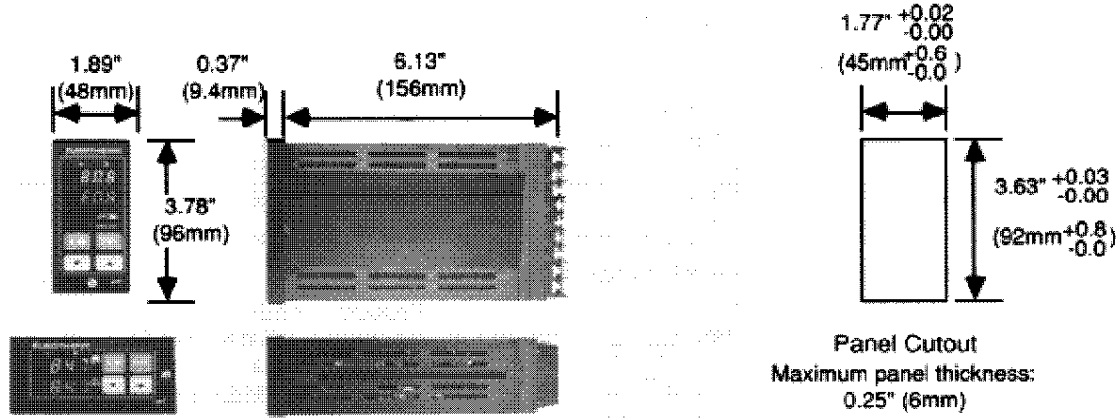
# Technical Information Sheet

Number 128                      February 22, 1994

## Models 808 and 847 Dimensions and Rear Terminal Connections

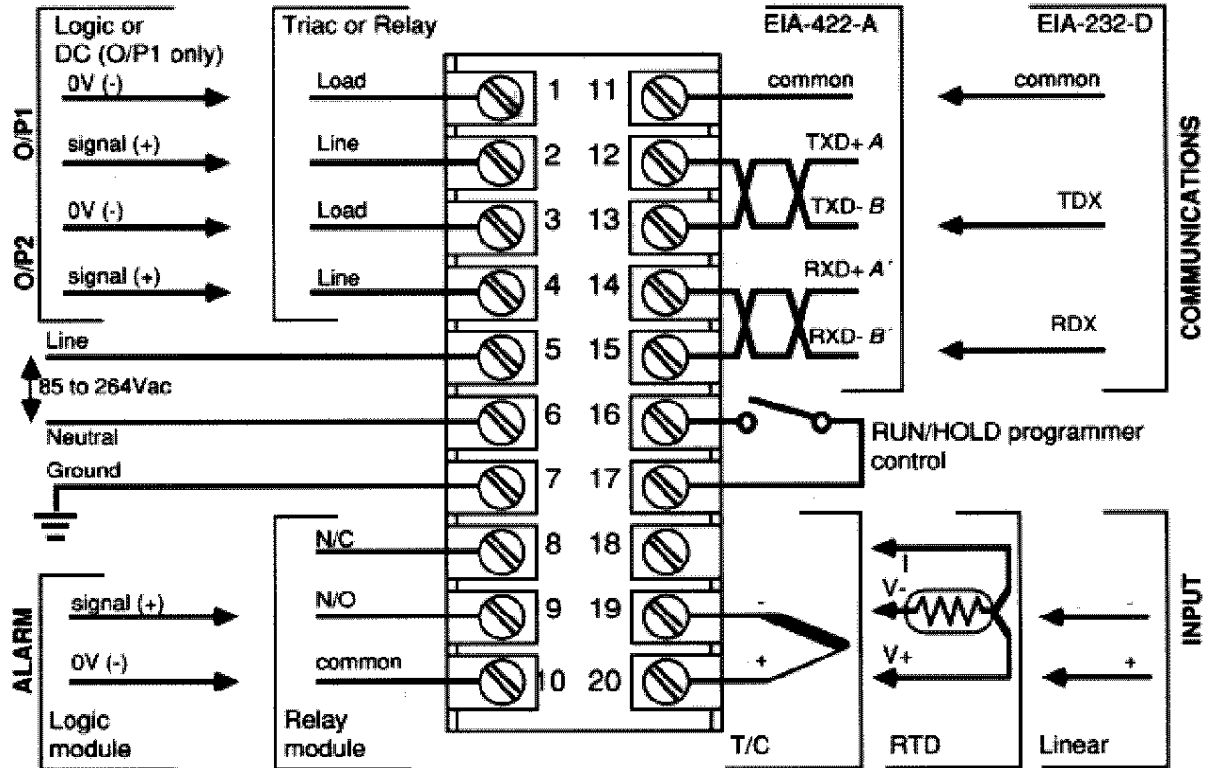
Issued by Applications Engineering Department: Customer Service Group

### Dimensions



Panel depth: with input adapter IA...: 7.11" (180.5mm)

### Rear terminal connections



Subject to change without notice.  
© 1988, 89 Eurotherm